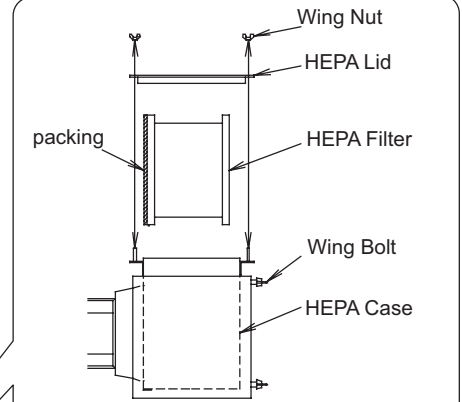


All-In-One Dehumidifier/Dryer/Loader (DMD4) Maintenance

(16) Hopper Dryer - Internal.
Clean during material change/when necessary

(4) Hose Disconnected,
Air Leak, Looseness
Check weekly

(15) Filter Inspection



UPPER VIEW

1. Review outer board on back of controller, where HEPA filter is.
2. Loosen wing nut and wing bolt to remove filter.
3. Install new HEPA filter. Set to make packing face downstream (drying hopper side.)
4. Tighten wing bolts (4) by hand and make.

(12) Primary Convey Collector:
Forming Collector:
Inspect monthly/material change

(1) Temperature Controller:
Check daily

(9) Electromagnetic
SW/Contactor:
monthly

(10) Terminal:
Check looseness
monthly

(13) Bolts/Nuts:
Check looseness
monthly

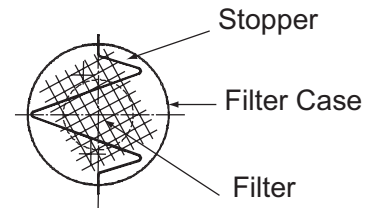
(5) Cooling Water:
Check Daily

(8) Strainer:
Check Weekly

(2) Regenerate Blower

(3) Dust Box

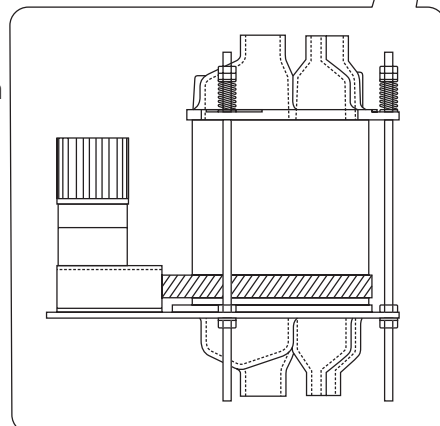
(6) Regenerate Filter



1. Shrink stopper up/down and remove.
2. Remove filter

(2) Drying/Convey Blower

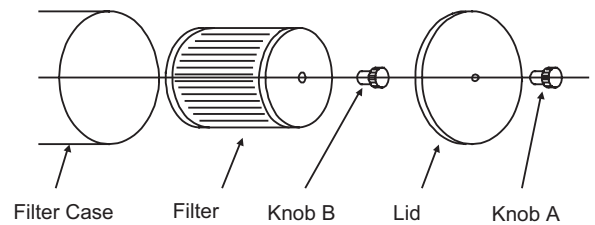
(14) Roter Drive Belt/ Tension
Board Spring:
Check damage and
rotation every 6 months



(11) Nylon Tube (air)
Check monthly

(7) Drying/Conveying Filter

Filter Disassembly



*If knob B is not available because of M/C or filter type, there are types where the filter can be flathend with knob A and the lid.