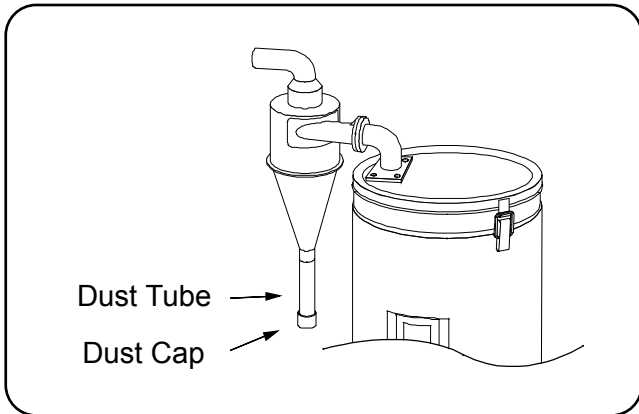


# Dehumidifying Dryer (DMZ2, DMS2)- Maintenance/Inspection

(3) Dust Tube "When using single-pass specifications (not common)



(4) Hose Disconnection, Air Leak, Looseness Checks: Weekly

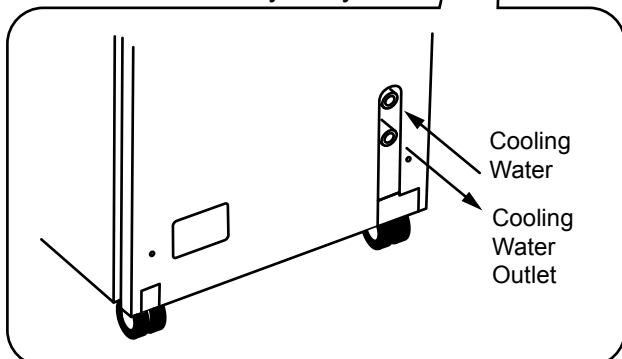
(1) Temperature Controller Check Daily

(6) Electromagnetic Switch/Contact Inspect Weekly

(7) Terminals Check Looseness Monthly

(8) Bolts/Nuts Check Looseness every 3 Months

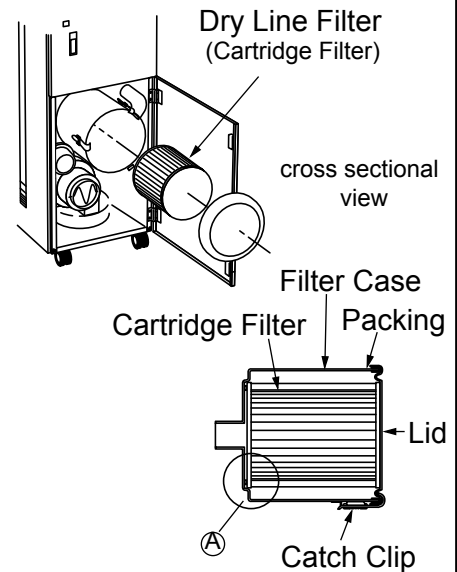
(2) Cooling Water Check Quantity Daily



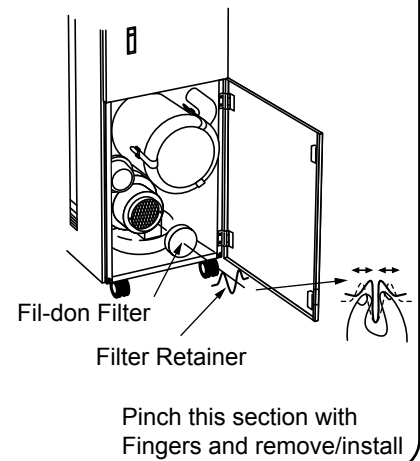
(5) Filter Clean: Weekly

(Dry Line Filter) (Cartridge Filter)

Firmly set filter on catch clips. Make sure "A" section is not misaligned. Also, securely close lid to prevent air leaks.



(Regeneration Filter) (Fil-don Filter)



(9) Rotor Drive Belt Check for damage/rotation every 6 months

